

SCP700 SERIES

Thermal Receipt/Label & Impact Slip Combination Printers

FEATURES

- ✦ AutoSide Loading™ feature
- ✦ Cost effective, fully capable POS printer.
- ✦ Prints high quality thermal receipts at up to 16.7 lines per second.
- ✦ Small footprint occupying minimal counter space.
- ✦ Impact slip station for checks, credit card forms, restaurant slips and other multi-part documents.
- ✦ Flexible dual interface option for multiple system configuration.
- ✦ Optional integrated customer display available.
- ✦ Industry compatible emulations standard.

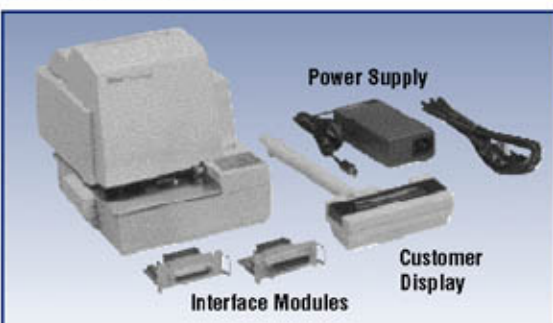
MODELS AVAILABLE

SCP700 - Stand Alone Printer Unit (with or without the optional power supply)

The combination of Star's fifty years of manufacturing experience of matrix and thermal printer technologies has culminated in a new and revolutionary retail POS solution. Retailers are now able to reduce space and costs by using Star's new intelligent Two-in-One Printer with optional dual interface and data "pass-through" functions.

Fast, flexible and compact — the new Combination printer from Star allows printer/system configurations which were previously unavailable!

SCP700 OPTIONS



CUSTOMER DISPLAY SCD-202 (Optional)

The compact customer display mounts simply and easily into the Star Combo Printer giving a clear 2 line, 20 character back-lit LCD display.

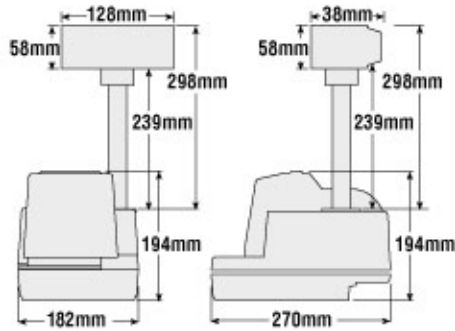
The Intelligent Dual Interface Option

Another advantage the SCP700 has over other POS printers is the flexibility provided by the dual interface option.

The SCP700 comes with a standard serial interface, as well as the facility to add another serial or bi-directional parallel interface. The unique design allows each individual interface on the printer to be dedicated to the desired print station, thus making installation into existing POS systems easy and cost effective.



DIMENSIONS



APPLICATIONS

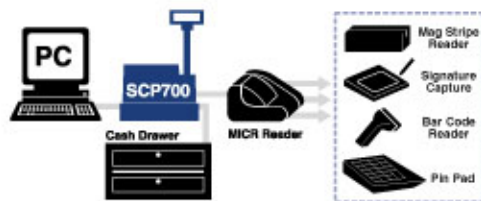
1. Multi-Station Printer Configuration

The SCP700 printer is perfect for typical POS systems. It offers high speed thermal receipt printing, multi-part slip printing, an integrated customer display option, and support for up to two cash drawers from a single interface connection.



2. Peripheral Work Group Configuration

Adding an optional serial or bi-directional parallel interface provides a unique Data "Pass Through" Function. The SCP700 is able to interface directly between other peripheral devices and the controlling PC, acting as the virtual hub of a complete POS work group.



3. Printer Configuration

Using the optional interface, the SCP700 can be used to work like two independent printers. This enables the Star Combination Printer to replace two printers in many existing systems without any expensive software modifications.



SCP700 PRINTER SPECIFICATIONS

Standard Interface	Serial RS232C (D-Sub 9pin)
Optional Additional Interface	RS232C (D-Sub 25pin) or Parallel (IEEE1284)
Cash Drawer	2 drivers with compulsion sensor
Power Supply	Optional external PS48
Safety Standards	UL, C-UL, TÜV, CE
Operating Temperature	5°C to 35°C, 25% to 85% R.H. (w/o condensation)
Drivers	Win '95/'98/2000, NT4.0, OPOS, JavaPOS™
Emulation	Star mode, ESC/POS™ (TM295/TM-T85)

SCP700 SLIP PRINTER (DOT MATRIX)

Print Speed	3.1 LPS (13mm/sec)
Print Width	2.5" (63mm)
Line Spacing	1/6", N/144"-Star mode, 1/60"-ESC/POS™* mode
No. of Columns	42
Paper Specifications	
Width	3.15"-7.17"/80mm-182mm
Thickness	1 ply: 0.09mm-0.2mm Total thickness: 0.12mm-0.25mm
Binding	Top or left side
Length	3.15"-10.8"/80mm-257mm
Copies	Original + 2
Paper Sensors	Top of form, bottom of form
Ribbon Type	Cassette
Ribbon Life	Purple: 2.2 million characters (standard) Black: 1.2 million characters (option)
Reliability Printer	9 million lines MCBF (CRT)
Data Buffer	Combo mode – 4K bytes, 45 bytes (selectable) Dual mode – 512 bytes, 35 bytes
Case Color	Putty

*ESC/POS is a registered trademark of Epson Seiko LTD.

SCP700 RECEIPT PRINTER (THERMAL)

Print Speed	50mm/sec. (16.7 LPS @ 3mm/line)
Print Width	72mm (2.8")
Line Spacing	3mm, 4mm (default)
Resolution	203 dpi
No. of Columns	48/64
Barcodes	UPC, JAN, EAN, Code 39/128, ITF, Codabar (NW7)
Paper Specifications	
Width / Thickness	80mm (3.15")/ 0.06-0.085mm
Roll Diameter	85mm
Paper Sensors	Near end, paper out
Reliability: Printer	38 million lines MCBF (CRT)
Cutter	300,000 cuts
Data Buffer	4K bytes, 45 bytes
Case Color	Putty